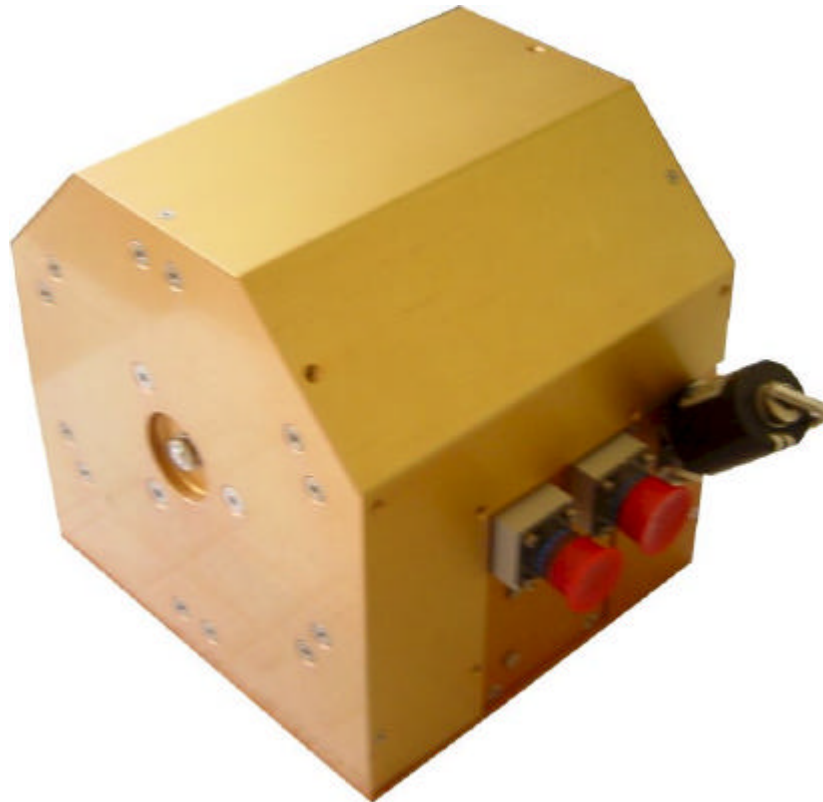


---

# INERTIAL SHAKER

---

# EI 799



## MAIN FEATURES

The inertial shaker type EI 799 delivers a force of around 450 N when it is used with the A 520 on-board power amplifier.

The moving assembly is composed of a magnetic circuit, and is guided by two low friction bearings, providing a high amplitude movement without transversal efforts.

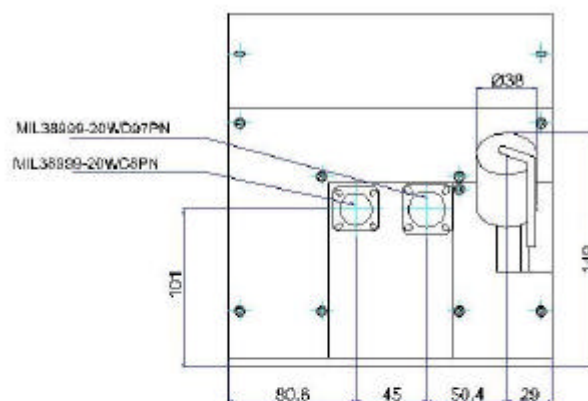
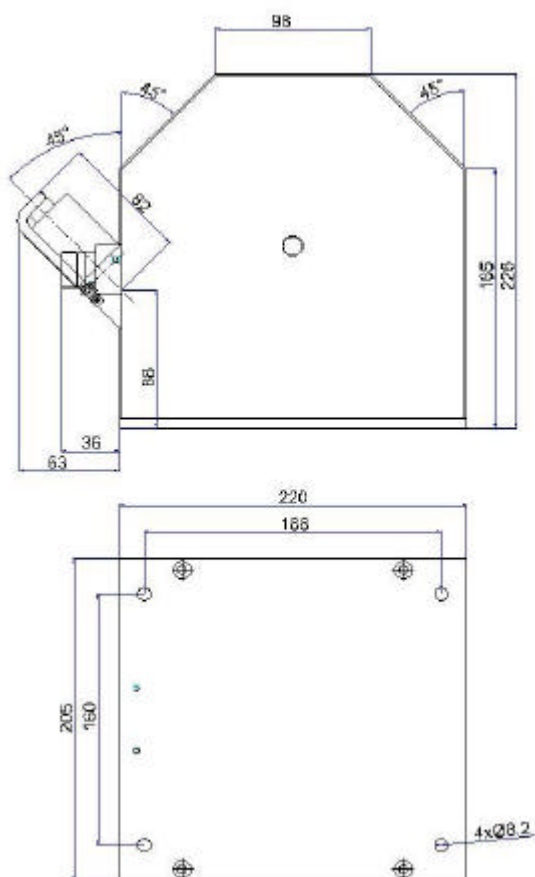
A mechanical system allows blocking the moving assembly when the shaker is not under operation, without adding stiffness to the system.

The shaker includes a PT100 thermal sensor for monitoring of the coil temperature and the pre-installation for an accelerometer integrated in the moving assembly (accelerometer not included).

## TECHNICAL FEATURES

Type of excitation	Horizontal
Maximum force	450 N $\pm$ 10%
Maximum peak current	20 A
Force coefficient	22.5 N/A $\pm$ 10%

Maximum stroke	$\pm 15$ mm
Weight of the moving assembly	18.75 kg
Total weight	28 kg
Suspension	By springs
Suspension cut-out frequency	< 3 Hz
Cooling system	By free air convection
Dimensions	See sketches



All dimensions are in mm

Enclos d'Esquerre - 31380 VILLARIES - FRANCE

Phone: (+ 33) 5 61 84 36 98 - Fax: (+ 33) 5 61 84 17 91

E-mail: [prodera@prodera.com](mailto:prodera@prodera.com) - <http://www.prodera.com>



PRODERA

*The manufacturer reserves the right to change technical or mechanical specifications of its products at any time.*